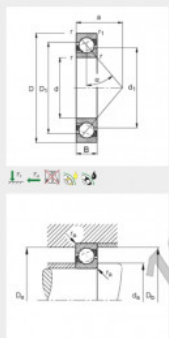


Rodamiento de bolas una hilera 7320-B-TVP-FAG - 7320-B-TVP-FAG

<https://www.123rodamiento.mx/rodamiento-cojinete/rodamiento-bola/una-hilera/7320-b-tvp-fag>

Angular contact ball bearings 7320-B-TVP
main dimensions to DIN 629-1, contact angle $\alpha = 40^\circ$



| | |
|-------------------|--|
| d | 100 mm |
| D | 215 mm |
| B | 47 mm |
| a | 90 mm |
| D ₁ | 171.7 mm |
| D _{2max} | 201 mm |
| D _{3max} | 208 mm |
| d ₁ | 146.3 mm |
| d _{2min} | 114 mm |
| f _{1min} | 1.1 mm |
| f _a | 2.5 mm |
| f _{1max} | 3 mm |
| f _{2min} | 3 mm |
| e | 40 ° Contact angle |
| m | 7.16 kg Mass |
| C | 214000 N Basic dynamic load rating, radial |
| C ₀ | 197000 N Basic static load rating, radial |
| n _G | 3700 1/min Limiting speed |
| n _R | 3550 1/min Reference speed |
| C ₁ | 10600 N Fatigue limit load, radial |

CARACTERÍSTICAS DEL PRODUCTO

| | |
|-------------------|---------------|
| Marca | FAG |
| N° Ean13 | 3663952348216 |
| Diámetro interior | 100 mm |
| Diámetro exterior | 215 mm |
| Espesor | 47 mm |
| Envasado | 1 |

contacto@123rodamiento.mx

+34 911 436 830

CRT4 de Lesquin 60 Rue Du Haut De Sainghin 59273 Fretin FRANCE