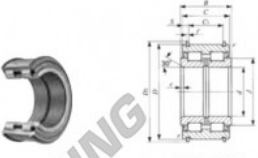


Rodamiento de agujas NAS5036-ZZ-NR-IKO - NAS5036-ZZ-NR-IKO

<https://www.123rodamiento.mx/rodamiento-cojinete/rodamiento-agujas/agujas/nas5036-zz-nr-iko>

IKO
ROLLER BEARINGS
Roller Bearings for Sheaves



Shaft dia. mm	Identification number		Mass (Ref.) kg	Boundary dimensions mm						
	Sealed type	Shield type		d	D	D ₂	B	C	C ₁	S
180		NAS 5036ZZNR	30.0	180	280	294	136	135	110	12.5
f	c	r _s mm ⁽¹⁾	J	Basic dynamic load rating C N		Static load rating C ₀ N		Allowable rotational speed ⁽²⁾ rpm		
5	3.5	1.5	217	1 070 000		2 140 000		550		

Notes^(*)
⁽¹⁾ Minimum allowable value of chamfer dimension r
⁽²⁾ Allowable rotational speed applies to grease lubrication. Considering that the axial load acts under practical operating conditions, up to 1/10 of this value is recommended for actual use.
 Remarks: 1. The NAG and NAU series with a bore diameter, d, of 17 mm or less have no oil hole. In others, the outer ring has an oil groove and two oil holes.
 2. The bearings with seals are provided with prepacked grease.

CARACTERÍSTICAS DEL PRODUCTO

Marca	IKO
N° Ean13	3663952387130
Diámetro interior	180 mm
Diámetro exterior	280 mm
Espesor	136 mm
Envasado	1

contacto@123rodamiento.mx

+34 911 436 830

CRT4 de Lesquin 60 Rue Du Haut De Sainghin 59273 Fretin FRANCE