

Rotulas SA SSAL6-T-K-DURBAL - DSSAL6-T-K-DURBAL

<https://www.123rodamiento.mx/rodamiento-cojinete/rotulas/sa/dssal6-t-k-durbal>

SSAL6-T-K



male thread: maintenance free, according to DIN ISO 12240-4, series K, in stainless steel

Description: DIN ISO rod end K series. Made of spherical plain bearing DG...PW pressed into rod end body. Sliding combination steel / bronze-PTFE composite.

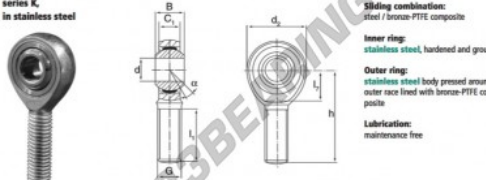
rod end body: stainless steel

Sliding combination: steel / bronze-PTFE composite

inner ring: stainless steel, hardened and ground

Outer ring: stainless steel body pressed around, outer race lined with bronze-PTFE composite

Lubrication: maintenance free



order number		measurement [mm]				
right hand thread	left hand thread	d	G	B	C1	d2
SSAL 6 T/K		6	M 6	9	6,75	20

type	measurement [mm]			load rating C ₀ [kN]	weight [kg]
	l ₁ min	l ₂ min	h		
SSA / SSAL 6 T/K	21		36	7,7	0,020

CARACTERÍSTICAS DEL PRODUCTO

Marca	DURBAL
N° Ean13	3663952490588
Diámetro interior	6 mm
Diámetro exterior	20 mm
Espesor	9 mm
Tipo	SA
Peso	20 g
Hilo	Rosca izquierda
Lubricación	sin
Envasado	1

contacto@123rodamiento.mx

+34 911 436 830

CRT4 de Lesquin 60 Rue Du Haut De Sainghin 59273 Fretin FRANCE