

## Rotulas SI DSI8-PK-DURBAL - DSI8-PK-DURBAL

<https://www.123rodamiento.mx/rodamiento-cojinete/rotulas/si/dsi8-pk-durbal>

### DSI8-PK



female thread; maintenance free, according to DIN ISO 12240-4, series K

Description: DIN ISO rod end K series. Sliding combination steel / bronze-PTFE composite.

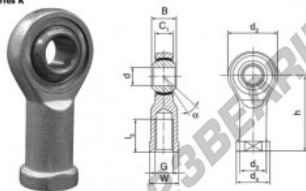
End end body: surface case plated

Sliding combination: steel / bronze-PTFE composite

Inner ring: bearing steel hardened and ground

Outer ring: rod end body pressed around, outer race lined with bronze-PTFE composite

Lubrication: maintenance free



order number		measurement (mm)					
right hand thread	left hand thread	d	G	B	C	d <sub>1</sub>	d <sub>2</sub>
DSI 8 PK		8	M 8	12	9,00	25	12,5

type	measurement (mm)				load rating C <sub>0</sub> (kN)	weight (kg)
	l <sub>1</sub> min	W	h	α [°]		
DSI / DSIL 8 PK	16	14	36	12	12,90	0,047

## CARACTERÍSTICAS DEL PRODUCTO

Marca	DURBAL
N° Ean13	3663952491851
Diámetro interior	8 mm
Diámetro exterior	25 mm
Espesor	12 mm
Tipo	SI
Peso	47 g
Hilo	Rosca derecha
Lubricación	sin
Envasado	1

[contacto@123rodamiento.mx](mailto:contacto@123rodamiento.mx)

+34 911 436 830

CRT4 de Lesquin 60 Rue Du Haut De Sainghin 59273 Fretin FRANCE