

## Rotulas SA SAZP4-S-DURBAL - DSAZP4-S-DURBAL

<https://www.123rodamiento.mx/rodamiento-cojinete/rotulas/sa/dsazp4-s-durbal>

### SAZP4-S



**male thread:**  
lubrication required, similar to DIN ISO 12240-4; series R, measurement in inches

**Description:** DIN ISO rod end K series. Dimensions in inch. Sliding combination steel / heavy duty bronze. With grease nipple.

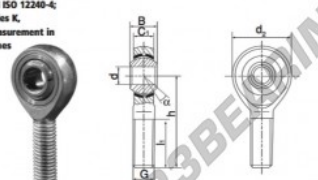
**Rod end body:**  
surface zinc plated

**Sliding combination:**  
steel / heavy duty bronze

**Inner ring:**  
bearing steel, hardened, ground and spherical surface chromium plated

**Outer ring:**  
heavy duty bronze with lubrication

**Lubrication:**  
lubrication required, with grease nipple



order number		measurement [mm]	
right hand thread	left hand thread	d	G
SAZP 4 S		4,83	10 - 32
			B
			C1
			d2

type	inches	measurement [mm]		load rating	weight
		l min	h	C <sub>0</sub> [kN]	W [g]
SAZP / SAZPL 4 S		19,05	31,75	10	3,8

## CARACTERÍSTICAS DEL PRODUCTO

Marca	DURBAL
N° Ean13	3663952495989
Diámetro interior	4.83 mm
Diámetro exterior	15.88 mm
Espesor	7.92 mm
Tipo	SA
Peso	13 g
Hilo	Rosca derecha
Lubricación	sin
Envasado	1

[contacto@123rodamiento.mx](mailto:contacto@123rodamiento.mx)

+34 911 436 830

CRT4 de Lesquin 60 Rue Du Haut De Sainghin 59273 Fretin FRANCE