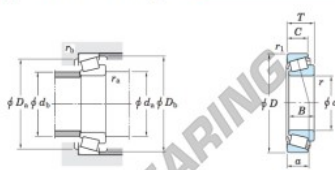


Rodamiento conico 368-362-JTEKT - 368-362-JTEKT

<https://www.123rodamiento.mx/rodamiento-cojinete/rodamiento-rodillos/conico/368-362-jtekt>

Single-row tapered roller bearings
Inch series Koyo



| Boundary dimensions (mm) | | | | | | | Basic load ratings (kN) | | Limiting speeds (min ⁻¹) | |
|--------------------------|----------|----------|----------|----------|------------------------------|------------------------------|-------------------------|-----------------------|--------------------------------------|----------|
| <i>d</i> | <i>D</i> | <i>T</i> | <i>B</i> | <i>C</i> | <i>r_a</i> max. | <i>r_b</i> max. | <i>C_r</i> | <i>C₁₀</i> | Grease lub. | Oil lub. |
| 50.800 | 88.900 | 20.638 | 22.225 | 16.613 | 1.6 | 1.2 | 74.3 | 87.3 | 4 400 | 5 800 |

| Bearing No. | | Load center (mm) <i>a</i> | Mounting dimensions (mm) | | | | | | Constant <i>e</i> | Axial load factors | | (Refer.) Mass (kg) | |
|-------------|------------|------------------------------|--------------------------|----------------------|----------------------|----------------------|------------------------------|------------------------------|----------------------|----------------------|----------------------|-----------------------|------------|
| Inner ring | Outer ring | | <i>d_a</i> | <i>d_b</i> | <i>D_a</i> | <i>D_b</i> | <i>r_a</i> max. | <i>r_b</i> max. | | <i>Y₁</i> | <i>Y₂</i> | Inner ring | Outer ring |
| 368 | 362A | 16.1 | 58.0 | 56.0 | 81.0 | 84.0 | 1.6 | 1.2 | 0.32 | 1.88 | 1.03 | 0.333 | 0.164 |

CARACTERÍSTICAS DEL PRODUCTO

| | |
|-------------------|---------------|
| Marca | JTEKT |
| N° Ean13 | 3663952427669 |
| Diámetro interior | 50.8 mm |
| Diámetro exterior | 88.9 mm |
| Espesor | 20.638 mm |
| Envasado | 1 |
| Estándar | Ninguna norma |

contacto@123rodamiento.mx

+34 911 436 830

CRT4 de Lesquin 60 Rue Du Haut De Sainghin 59273 Fretin FRANCE